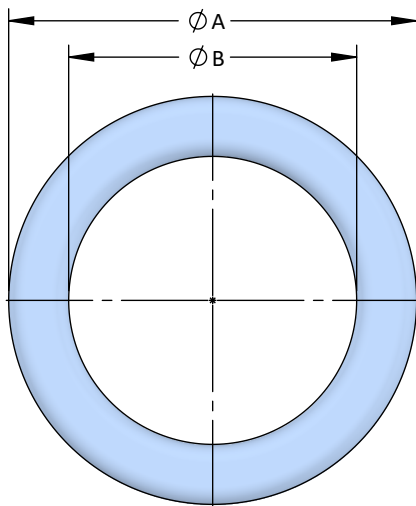
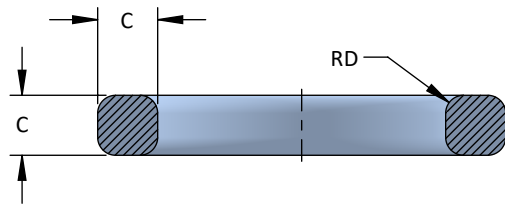
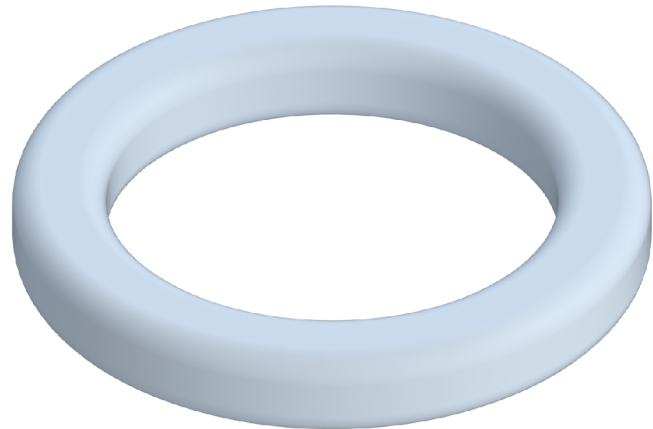


# Mooring Rings

## Forged Mooring Ring

- Custom Coatings Available
- Custom Materials Available
- Custom High Strength Versions Available



Model No.	A	B	C	D
S1415F	17	12	2 ½	¾
SA17M-F	16 ¾	11 ½	2 ¾	¾
SA17M1-F	17 ¾	11 ⅝	2 ⅞	1

All dimensions are in inches and are subject to change.

